

The Green Mountain Family

# Green Mountain 40 Wood Stove Model 8640

Warm your living area with a clean, efficient, long lasting fire.



**Efficiency**

79%

HHV



**HeatLife™**

16

Hours



**EPA Certified**

1.07

g/hr



## Features

---

### Clean Traditional Style

Our GM40 wood stove is styled with clean lines and offered in traditional black cast iron. Built for the wood stove purist.

### TruHybrid™ Reliability

Our Green Mountain stoves exceed EPA clean burning standards. You can be sure they will burn clean today and for many years to come.

### Soapstone Firebox Lining

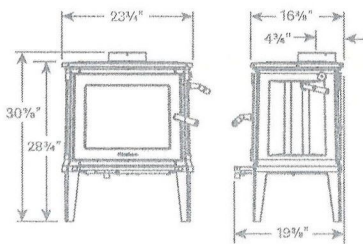
The GM40 is lined with soapstone blocks. Soapstone absorbs the heat of the fire to give you long-lasting comfortable heat.

**Green Mountain Wood Stove**

**GM40 8640**



**Dimensions**



**Clearances**



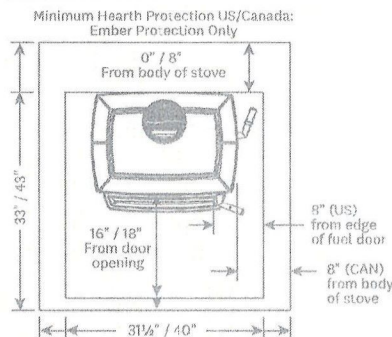
Side: 14" Rear: 16" Corner: 14"  
Single-wall connector pipe  
no rear heat shield



Side: 14" Rear: 13 3/4" Corner: 7"  
Single-wall connector pipe  
with included rear heat shield

Side: 14" Rear: 9 3/4" Corner: 7"  
Double-wall connector pipe  
with blower kit heat shield

**Hearth Protection**



**Finish Options**



Matte Black

**Specifications**

HHV Efficiency .....	79%
HeatLife** .....	16 hours
EPA Certified .....	1.07 g/hr
Heats up to .....	1,400 sq ft
Firebox Capacity .....	1.32 cu ft
BTU .....	Up to 40,000
Maximum Log Length .....	16"
Flue Diameter .....	Top - 6"
Weight .....	350 lbs

**Accessories**

Blower w/ Rear Heat Shield .....	96-57400
Outside Air Adapter .....	96-53400

Note: All information is for reference only. Refer to the owner's manual for full specification and installation details.

\* Under the right conditions, you will be able to burn a single fire with loading up to the end of the product's heat life.\*\*

The Green Mountain Family

# Green Mountain 60 Wood Stove Model 8660

Keep your home cozy all night long with great efficiency.

  
**Efficiency**

79%  
HHV

  
**HeatLife™**

24  
Hours

  
**EPA Certified**

0.6  
g/hr



## Features

---

### A Stove With A View

The clean yet traditional style of the GM60 frames a wide view into the fire. Enjoy the dancing flames of the clean-burning fire.

### TruHybrid™ Reliability

Our Green Mountain stoves exceed EPA clean burning standards. You can be sure they will burn clean today and for many years to come.

### Soapstone Firebox Lining

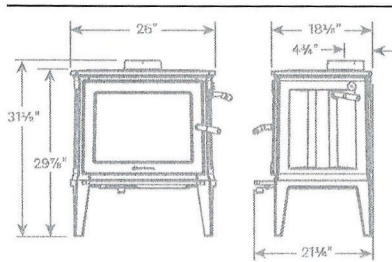
The GM60 is lined with soapstone blocks to store the heat from the fire and give off a gentle radiant heat that lasts. We call it HeatLife™.

**Green Mountain Wood Stove**

**GM60 8660**



**Dimensions**



**Clearances**



Side: 13" Rear: 17 1/2" Corner: 10"  
Single-wall connector pipe  
with no rear heath shield

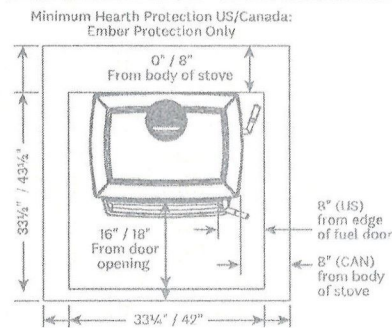
Side: 13" Rear: 11" Corner: 7"  
Single-wall connector pipe  
with included rear heat shield



Side: 13" Rear: 5" Corner: 7"  
Double-wall connector pipe  
with blower kit heat shield

Note: All information is for reference only.  
Refer to the owner's manual for full specification and installation details.

**Hearth Protection**



**Finish Options**



Matte Black

**Specifications**

HHV Efficiency .....	79%
Heat life** .....	24 hours
EPA Certified .....	0.6 g/hr
Heats up to .....	2,000 sq ft
Firebox Capacity .....	2.0 cu ft
BTU .....	Up to 60,000
Maximum Log Length .....	18"
Flue Diameter .....	Top - 6"
Weight .....	405 lbs

**Accessories**


- Blower w/ Rear Heat Shield ....96-57400
- Outside Air Adapter .....

\* Under the right conditions, you will be able to start a new fire with handling up to the end of the product's heat life.

The Green Mountain Family

# Green Mountain 80 Wood Stove Model #680

Our largest and most efficient TruHybrid™ wood stove boasts 81% HHV efficiency.

  
**Efficiency**  
81%  
HHV

  
**HeatLife™**  
30  
Hours

  
**EPA Certified**  
0.7  
g/hr



## Features

---

### TruHybrid™ Efficiency

Our biggest and most efficient wood stove, the GM80 boasts the highest efficiency available on the market today at 81% HHV.

### Full view of the fire

The window into the stove is designed to let you see as much fire as possible. Enjoy the heat and the view.

### Large firebox

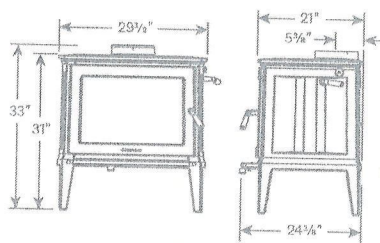
Burn up to 23 inch logs in the soapstone lined firebox. Spend less time splitting wood and more time enjoying it in this 3.1 cubic foot stove.

**Green Mountain Wood Stove**

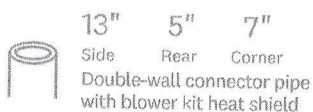
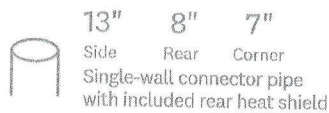
GM80 8680



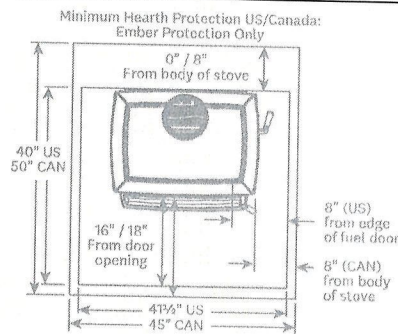
**Dimensions**



**Clearances**



**Hearth Protection**



**Finish Options**



Matte Black

**Specifications**

HHV Efficiency .....	31%
HeatLife™* .....	30 hours
EPA Certified .....	0.7 g/hr
Heats up to.....	2,500 sq ft
Firebox Capacity.....	3.1 cu ft
BTU.....	Up to 80,000
Maximum Log Length.....	23"
Flue Diameter .....	Top - 8"
Weight .....	550 lbs

**Accessories**

- Blower w/ Rear Heat Shield.....96-57800
- Outside Air Adapter .....

Note: All information is for reference only. Refer to the owner's manual for full specification and installation details.

\* Under the right conditions, you will be able to start a new fire with kindling up to the end of the product's heat life.